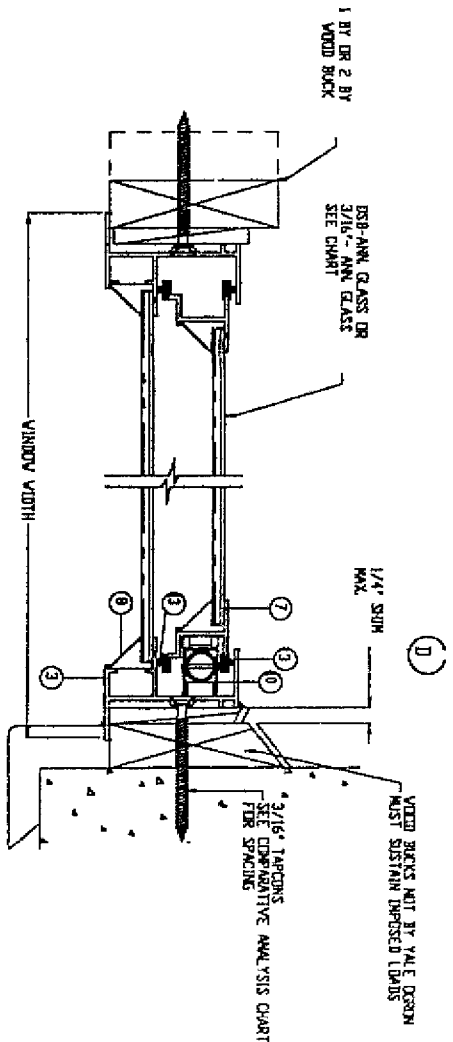
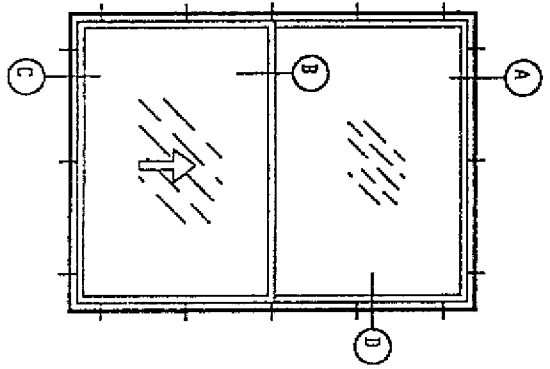


3/16" X 2-1/4" TAPCONS
 @ 6" FROM CORNERS
 119" O.C. MAX

OPTIONAL LATCH
 WINDOW CAN BE SUPPLIED WITH
 CAM LATCH AT THE RAILS OR
 SPRING LOADED LATCH AT STILL

Generic Shop Drawing of Window Units



100/0071 TG.

ITEM #	PART #	REQD.	DESCRIPTION	REMARKS
1	YE-169	1	FRAME HEAD	6063-15
2	YE-165	1	FRAME SILL	6063-15
3	YE-102F	2	FRAME JAMB	6063-15
4	YE-102F	1	FIXED RAIL	6063-15
5	YE-151C	1	VENT TOP RAIL	6063-15
6	YE-169	1	VENT BOTTOM RAIL	6063-15
7	YE-92D	2	VENT JAMB	6063-15
8		AS REQD.	GLAZING BEAD	ROLL FORMED ALUM.
9				
10	2/ VENT		BLACK & TACKLE BALANCE	
11	YH-511	AS REQD.	BULB VINYL	PVC (SINKED)
12	YH-510	AS REQD.	BULB VINYL	PVC (SINKED)
13	YH-509F	AS REQD.	PILE-SCALEGEL 187 X 250	FIN SEAL (DOUBLE)
14	YH-504	2	VENT LATCH	NYLON OR DELCON
14A	YH-515	1	CAM LOCK @ CENTER OF VENT	ZAWAX
15	# 10 X 3/4"	8	FRAME ASSEMBLY SCREWS	PLATED CRS.
16	# 8 X 3/4"	2	FIXED RAIL SCREWS	CAD PLATED CRS.
17	# 8 X 1"	4/ VENT	VENT ASSEMBLY SCREWS	CAD PLATED CRS.

1	1/1/98	1
2	1/1/98	1
3	1/1/98	1
4	1/1/98	1
5	1/1/98	1
6	1/1/98	1
7	1/1/98	1
8	1/1/98	1
9	1/1/98	1
10	1/1/98	1
11	1/1/98	1
12	1/1/98	1
13	1/1/98	1
14	1/1/98	1
15	1/1/98	1
16	1/1/98	1
17	1/1/98	1

SINGLE HUNG SERIES 500

YALE DOOR WINDOWS AND DOORS
 671 WEST 18 TH STR
 HIALEAH, FL 33010
 (305) - 887-2646